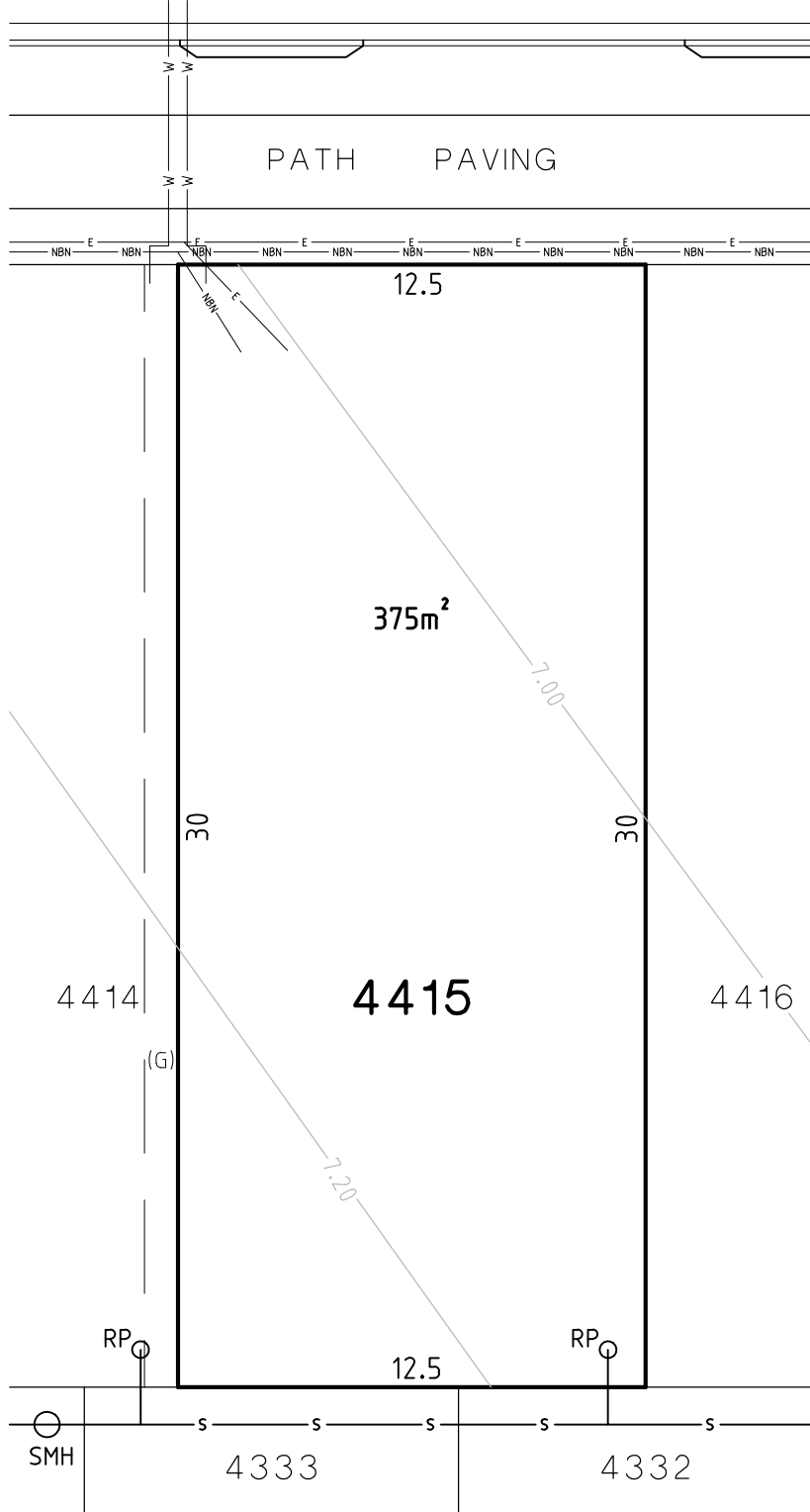


CONLON AVENUE



NOTES:-

- 1.) FOR ZERO LOT LINE HOUSING DEVELOPMENT REFER TO GEORGES FAIR - ZERO LOT LINE HOUSE CONSTRUCTION GUIDELINES.
- 2.) CONTOURS ARE BASED ON DESIGN PLAN INFORMATION ONLY AND ARE SUBJECT TO CONSTRUCTION.
- 3.) UTILITY SERVICING PLAN DETAILS ARE BASED ON PRELIMINARY DESIGN INFORMATION. FINAL LOCATION IS SUBJECT TO FINAL DESIGN AND CONSTRUCTION.
- 4.) GAS MAINS ARE NOT SHOWN.

LEGEND:-

- S— SEWER MAIN, MANHOLE, RODDING POINT.
- W— WATERMAIN, HYDRANT, STOP VALVE.
- SW— STORMWATER PIPE, PIT.
- E— ELECTRICITY SERVICES, TURRET, LIGHT POLE.
- NBN— TELECOMMUNICATION SERVICES, PIT.
- 8.2— DESIGN SURFACE CONTOUR.
- DESIGN BATTER SLOPE.
- DRIVEWAY ACCESS - NO CROSSING.
- DRIVEWAY CROSSING.

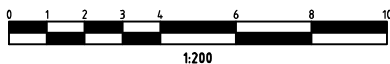
- (D) EASEMENT TO DRAIN WATER 1.2 WIDE.
- (G) EASEMENT FOR ACCESS, BUILDING, MAINTENANCE & SUPPORT 0.9 WIDE.
- (K) EASEMENT TO DRAIN WATER 1.2 WIDE (DP 1088900)



PRELIMINARY LOT DETAIL PLAN

**LOT 4415 DP 1161609
CONLON AVE, GEORGES FAIR**

PREPARED BY:
PROUST & GARDNER
CONSULTING PTY LIMITED
SURVEYORS & PLANNERS



SCALE: 1:200@A4 DATE: AUG 2012 PLAN No.21843/SP4415